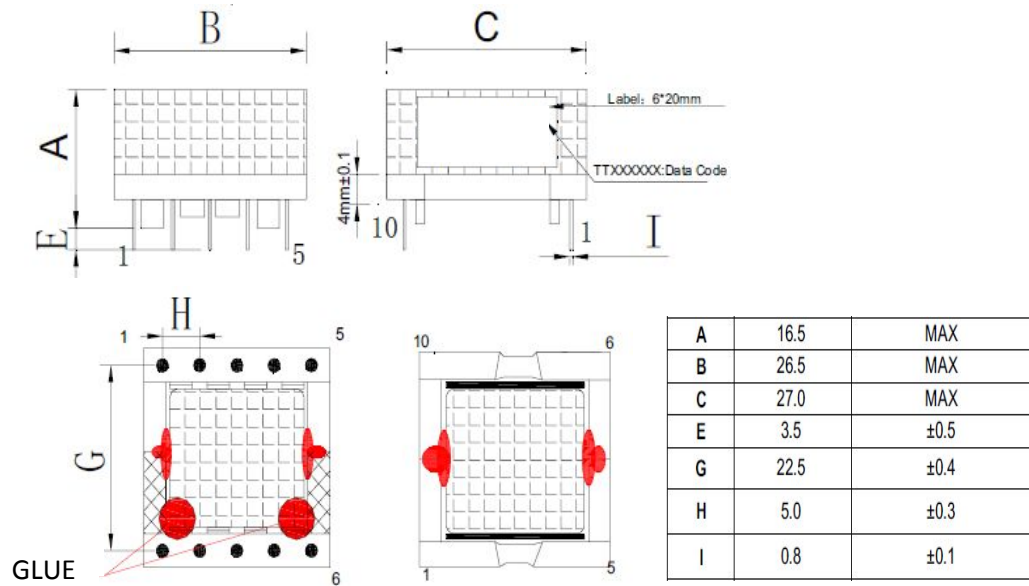
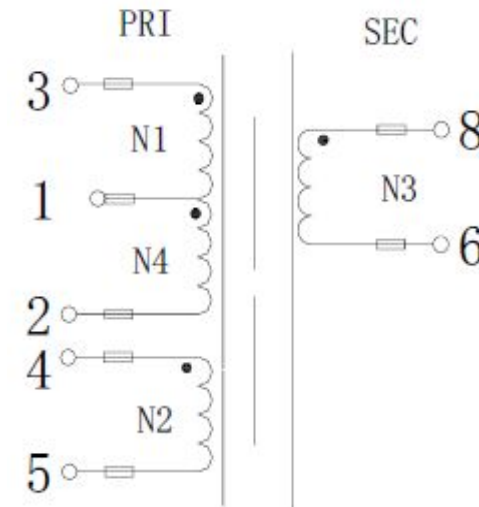


CUSTOMER TERMINAL	ROHS	Lead(Pb)-free
	YES	YES

## 1.Mechanical Dimensions



## 2.Schematic Diagram



## 3.Material List

Core:FW44 EFD25/25/9  
 Bobbin:FWB2506(5+5PIN)  
 Wire:2UEW TIW  
 Operating Temperature: -30 to115 °C

## 4.Electrical Specification

Inductance :  $L(2-3):350\mu H \pm 5\%$  70KHZ , 1.0V  
 Leakage Inductance : 14uH MAX 70KHZ , 1.0V  
 DCR : (3-2)=1.28Ω MAX (8-6)=58.8mΩ MAX  
 Hi-Pot:P-S: AC 60Hz 4000V 1mA 3S  
 S-CORE: AC 60Hz 4000V 1mA 3S

REV.	DATE	 Convention Placement	DRW.	Drawing Title:	Part No:		
0	00/00		CHK.			<b>TRANSFORMER</b>	FWPTEFD25H351J
			APP.			Customer P/N	Specification Sheet 1of 1
<b>ROHS</b>		<a href="http://www.ferriwo.com">www.ferriwo.com</a>					